

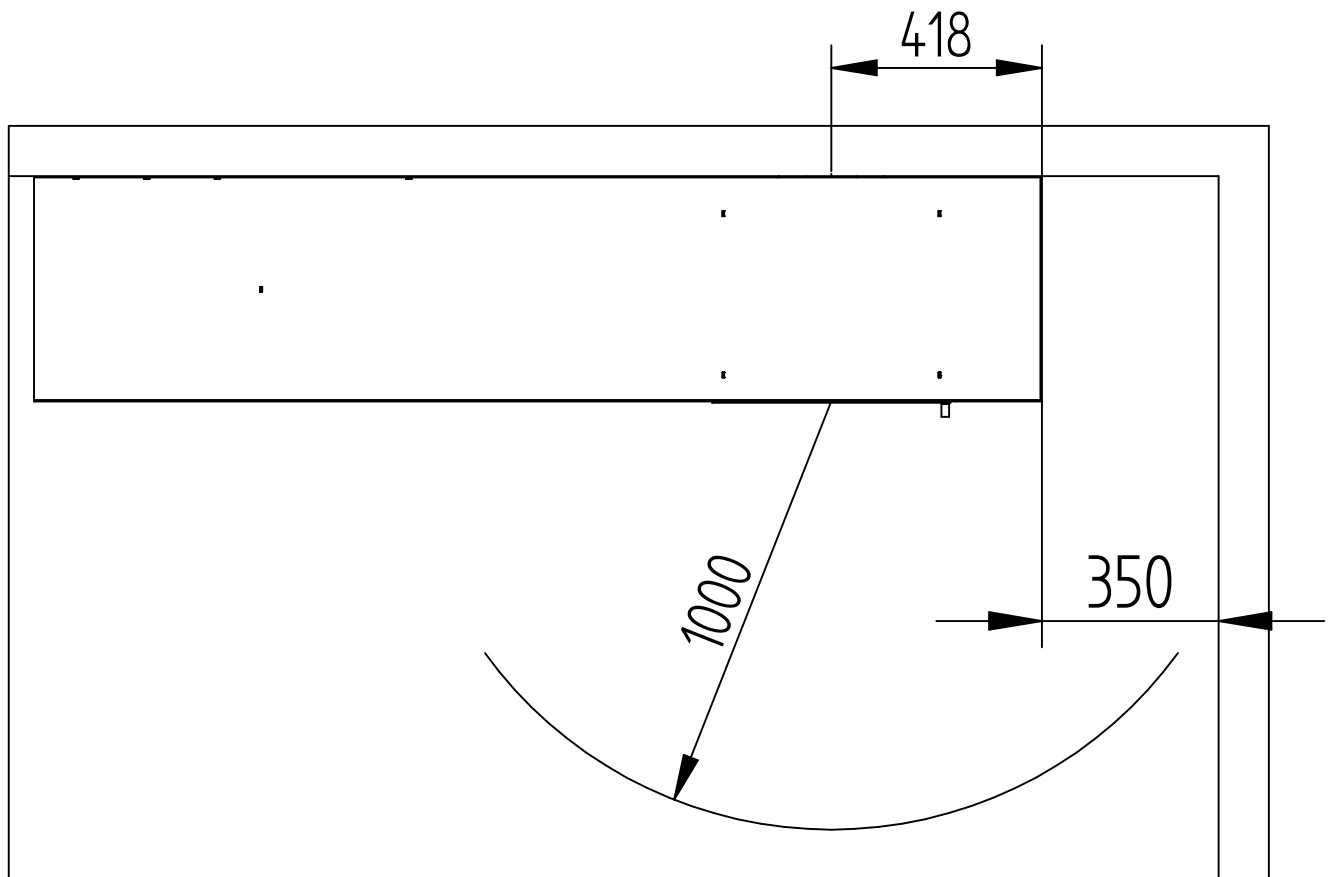
Modell:

Cubic W200

Sheet/Sheets: 1 of 2

Date: 13/12-2017

Distance to combustibile with insulated flues



FSPS-W_a 2137-EN

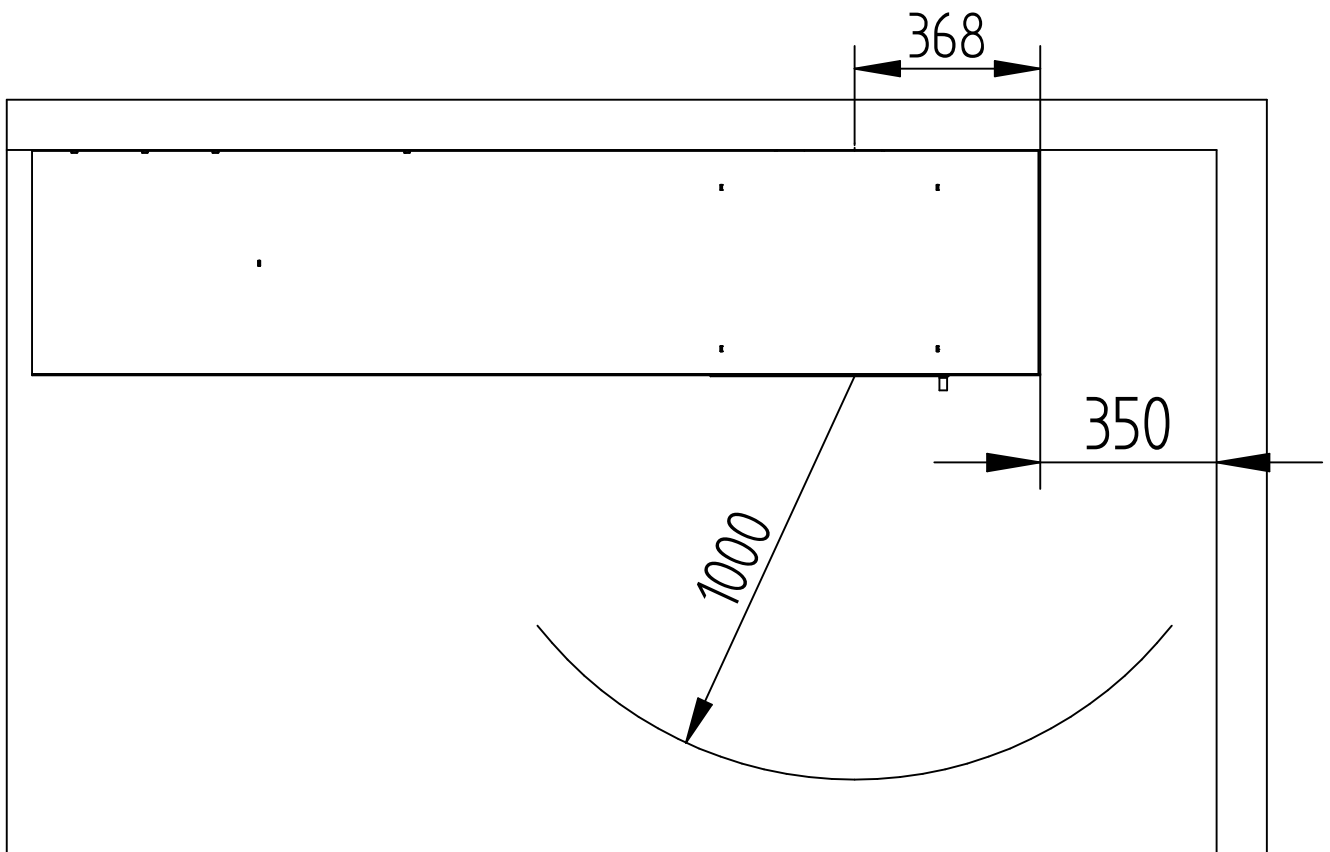
Modell:

Cubic W200

Sheet/Sheets: 2 of 2

Date: 13/12-2017

Distance to combustible without insulated flues



FSPS-Wa 2137 EN