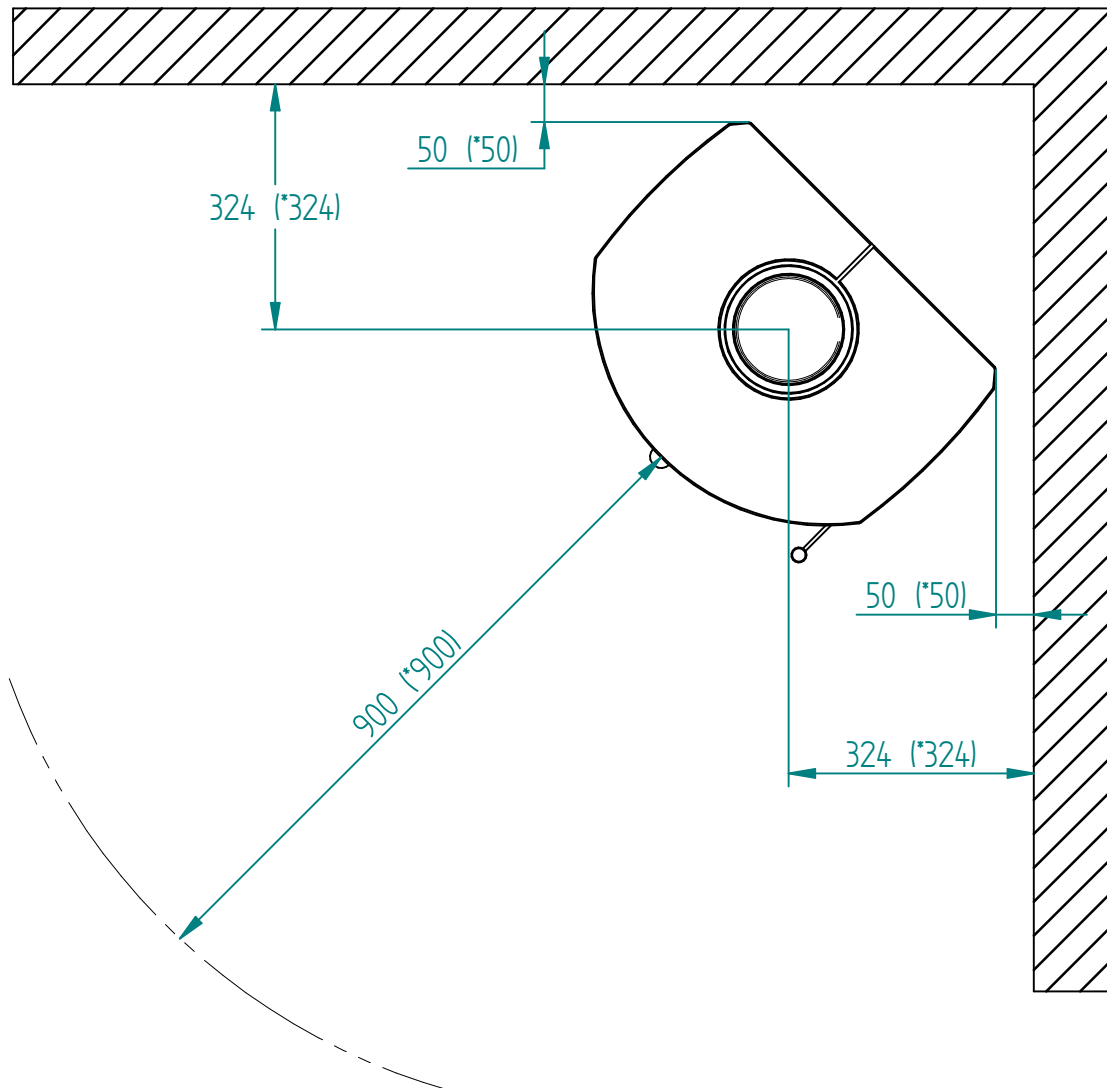


Model:

Nord 11 - 13



* The number given in parentheses shows the distance to combustible when tiled with insulated flue