

# JYDEPEJS H530

## CLASSIC

### JYDEPEJS H530 SERIES

---

Build in the heat  
High efficiency  
Strong convection  
Timeless design

DuplicAir® for simple and easy  
air control  
Suitable for installation in open  
fireplace  
Individual frame adjustment,  
with or without a bend  
With/without complete glass front  
Door can open to right or to the left  
Cold handle  
Space for large pieces of firewood  
Molded vermiculite  
Self-cleaning window  
5 year warranty

**Can be purchased**  
Special frame with/without bending  
Fresh air inlet ø 100 mm.



---

Find all models here:  
**JYDEPEJSEN.COM**

### TECHNICAL DATA JYDEPEJS H530 CLASSIC:

Heats approx. .... >140 m<sup>2</sup>  
Effect..... 4-9 kW  
Efficiency..... 75%  
Dust emission mg/Nm<sup>3</sup>.....28 mg.  
Smoke extraction ..... ø150 mm  
Chimney connection ..... Top/back  
Weight .....91 kg  
Colour ..... Black/grey  
Combustion chamber dimensions  
(H x W x D)..... 350 x 600 x 300

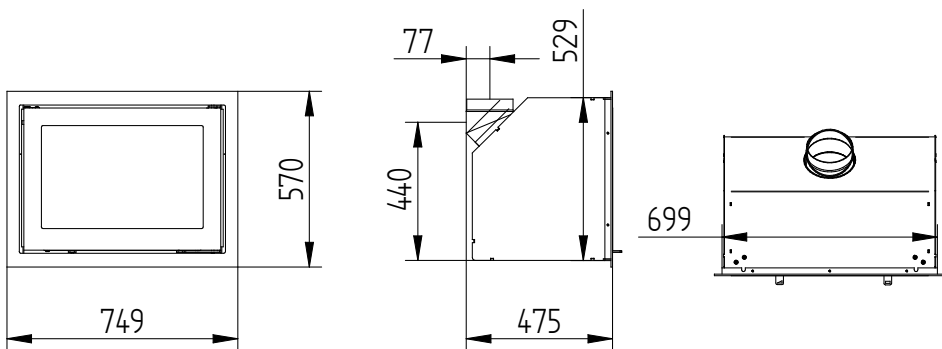
CE approved

### DISTANCE TO COMBUSTIBLE MATERIAL:

Back..... 250 mm  
Side..... 350 mm  
Front ..... 1.200 mm

### MINIMUM INSTALLATION DIMENSIONS:

Width .....714 mm  
Height ..... 544 mm



# JYDEPEJS H530

## MODERN

### JYDEPEJS H530 SERIES

---

Build in the heat  
High efficiency  
Strong convection  
Timeless design

DuplicAir® for simpel and easy  
air control  
Suitable for installation in open  
fireplace  
Individual frame adjustment,  
with or without a bend  
With/without complete glass front  
Door can open to right or to the left  
Cold handle  
Space for large pieces of firewood  
Molded vermiculite  
Self-cleaning window  
5 year warranty

**Can be purchased**  
Special frame with/without bending  
Fresh air inlet ø 100 mm.



---

Find all models here:  
**JYDEPEJSEN.COM**

**TECHNICAL DATA JYDEPEJS H530 MODERN:**

Heats approx. ....>140 m2  
Effect.....4-9 kW  
Efficiency..... 75%  
Dust emission mg/Nm3.....28 mg.  
Smoke extraction ..... ø150 mm  
Chimney connection ..... Top/back  
Weight .....91 kg  
Colour ..... Black/grey  
Combustion chamber dimensions  
(H x W x D)..... 350 x 600 x 300

CE approved

**DISTANCE TO COMBUSTIBLE MATERIAL:**

Back..... 250 mm  
Side..... 350 mm  
Front ..... 1.200 mm

**MINIMUM INSTALLATION DIMENSIONS:**

Width. ....714 mm  
Height ..... 544 mm

