

OMEGA BASIC

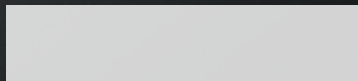
OMEGA SERIES

Clean combustion
High efficiency
Strong convection
Timeless design

DuplicAir® for simpel and easy
air control
Complete glass door with black frame
180° flame visibility
Self-closing door with magnets
All round
Start-up function
Wood compartment door
Fresh air inlet included
Cast iron bottom
Molded vermiculite
Self-cleaning window
Cold handle
5 year warranty

Can be purchased

Soft Close System (with pump)
Rotating base
Customized floorplate out of 6 mm glass



Find all models here:
JYDEPEJSEN.COM



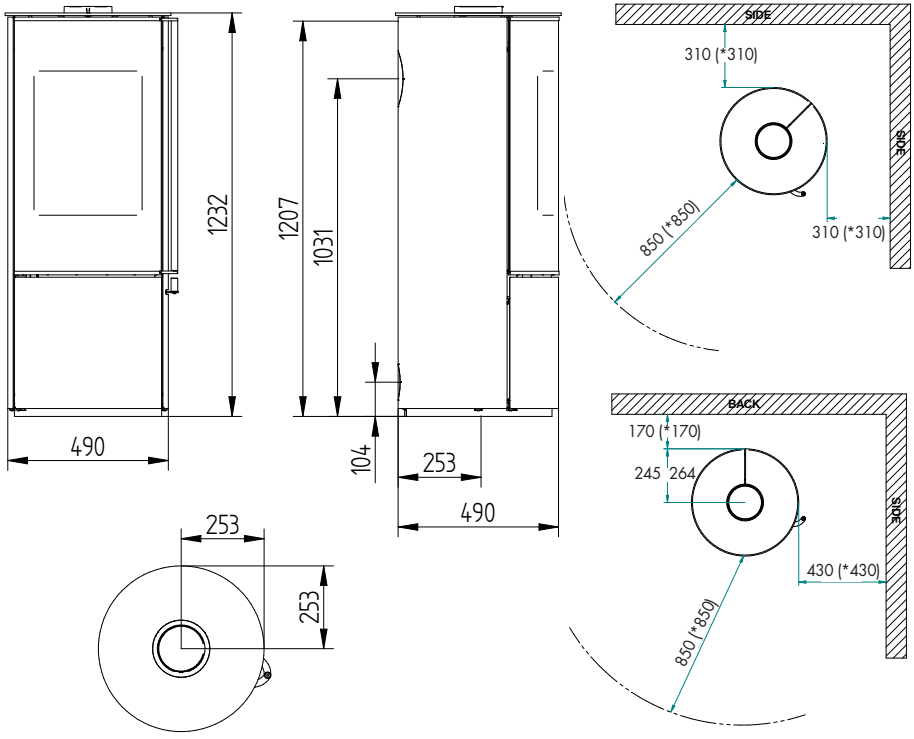
TECHNICAL DATA OMEGA BASIC:

Heats approx.	>140 m ²
Effekt.....	3-8 kW
Efficiency.....	79%
Dust emission mg/Nm ³	15 mg.
Smoke extraction	ø150 mm
Chimney connection	Top/back
Vægt.....	144 kg
Frave.....	Black/grey
Brændkammermål (H x B x D)	412 x 368 x 407

CE approved
Defra approved
DIBt approved



* The numbers in parentheses show the distance to combustibles, when fitted with insulated flue.



OMEGA BASIC

SOAPSTONE

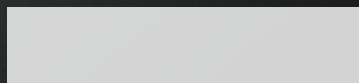
OMEGA SERIES

Clean combustion
High efficiency
Strong convection
Timeless design

DuplicAir® for simpel and easy
air control
Complete glass door with black frame
180° flame visibility
Self-closing door with magnets
All round
Start-up function
Wood compartment door
Fresh air inlet included
Cast iron bottom
Molded vermiculite
Self-cleaning window
Cold handle
5 year warranty

Can be purchased

Soft Close System (with pump)
Rotating base
Customized floorplate in 6 mm glass



Find all models here:
JYDEPEJSEN.COM



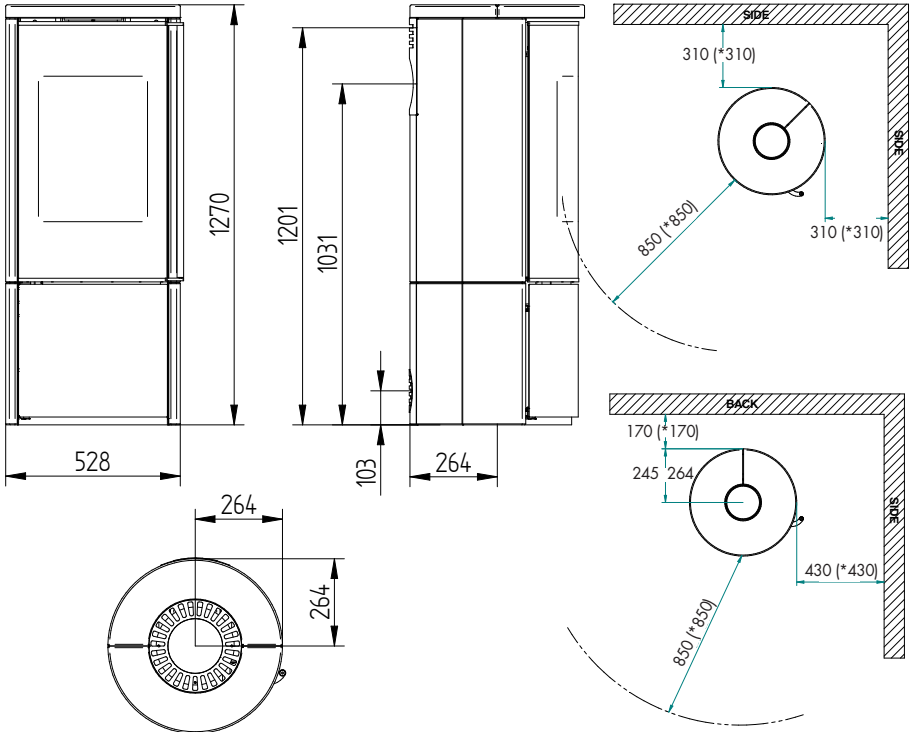
TECHNICAL DATA OMEGA BASIC SOAPSTONE:

Heats approx. >140 m²
 Effekt..... 3-8 kW
 Efficiency..... 79%
 Dust emission mg/Nm³..... 15 mg.
 Smoke extraction ø150 mm
 Chimney connection Top/back
 Weight200 kg
 Colour Black/grey
 Combustion chamber dimensions
 (H x W x D)..... 412 x 368 x 407

CE approved
 Defra approved
 DIBt approved



* The numbers in parentheses show the distance to combustibles, when fitted with insulated flue.



OMEGA HIGH

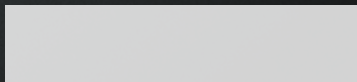
OMEGA SERIES

Clean combustion
High efficiency
Strong convection
Timeless Design

DuplicAir® for simpel and easy
air control
Complete glass door with black frame
180° flame visibility
Self-closing door with magnets
All round
Start-up function
Wood compartment door
Fresh air inlet included
Cast iron bottom
Molded vermiculite
Self-cleaning window
Cold handle
5 year warranty

Can be purchased

Soft Close System (with pump)
Rotating base
Customized floorplate out of 6 mm glass



Find all models here:
JYDEPEJSEN.COM



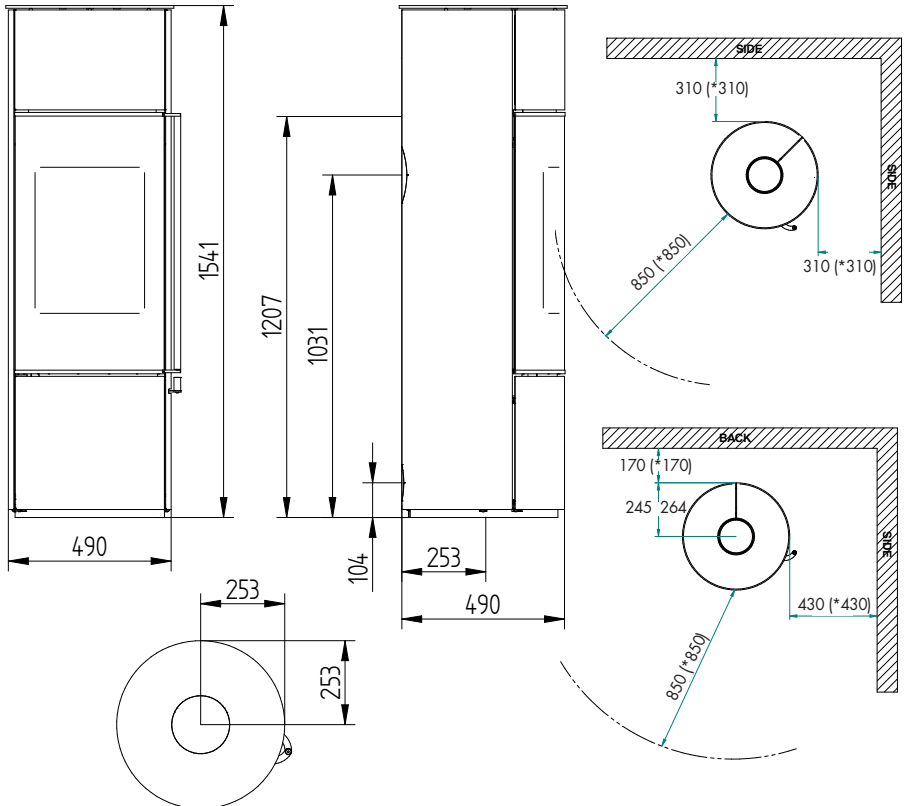
TECHNICAL DATA OMEGA HIGH:

Heats approx. >140 m²
 Effekt..... 3-8 kW
 Efficiency..... 79%
 Dust emission mg/Nm³..... 15 mg.
 Smoke extraction ø150 mm
 Chimney connection Top/back
 Weight 155 kg
 Color..... Black/grey
 Combustion chamber dimensions
 (H x W x D)..... 412 x 368 x 407

CE approved
 Defra approved
 DIBt approved



* The numbers in parentheses show the distance to combustible, when fitted with insulated flue.



OMEGA CORE

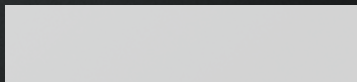
OMEGA SERIES

Clean combustion
High efficiency
Strong convection
Timeless design

DuplicAir® for simpel and easy
air control
Complete glass door with black frame
180° flame visibility
Self-closing door with magnets
All round
Start-up function
Wood compartment door
Fresh air inlet included
Cast iron bottom
Accumulation stones included (54 kg.)
Molded vermiculite
Self-cleaning window
Cold handle
5 year warranty

Can be purchased

Soft Close System (with pump)
Rotating base
Customized floorplate out of 6 mm glass



Find all models here:
JYDEPEJSEN.COM



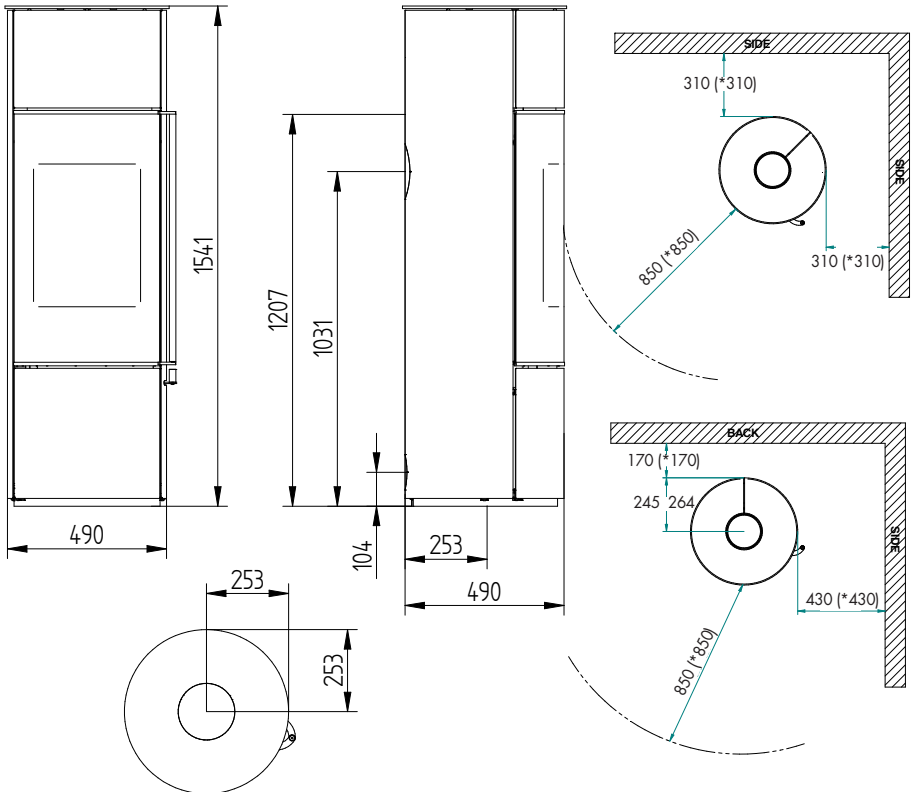
TECHNICAL DATA OMEGA CORE:

Heats approx. >140 m²
 Effekt..... 3-8 kW
 Efficiency..... 79%
 Dust emission mg/Nm³..... 15 mg.
 Smoke extraction ø150 mm
 Chimney connection Top/back
 Weight 214 kg
 Colour Black/grey
 Combustion chamber dimensions
 (H x W x D)..... 412 x 368 x 407

CE approved
 Defra approved
 DIBt approved



* The numbers in parentheses show the distance to combustibles, when fitted with insulated flue.



OMEGA CHEF

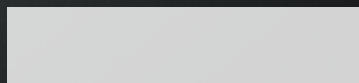
OMEGA SERIES

Clean combustion
High efficiency
Strong convection
Timeless Design

DuplicAir® for simpel and easy
air control
Complete glass door with black frame
180° flame visibility
Self-closing door with magnets
All round
Start-up function
Wood compartment door
Including baking oven
Fresh air inlet included
Cast iron bottom
Molded vermiculite
Self-cleaning window
Cold handle
5 year warranty

Can be purchased

Soft Close System (with pump)
Rotating base
Customized floorplate in 6 mm glass



Find all models here:
JYDEPEJSEN.COM



TECHNICAL DATA OMEGA CHEF:

Heats approx. >140 m²
 Effekt..... 3-8 kW
 Efficiency..... 79%
 Dust emission mg/Nm³..... 15 mg.
 Smoke extraction ø150 mm
 Chimney connection Top/back
 Weight 169 kg
 Colour Black/grey
 Combustion chamber dimensions
 (H x W x D)..... 412 x 368 x 407

CE approved
 Defra approved
 DIBt approved



* The numbers in parentheses show the distance to combustibles, when fitted with insulated flue.

