

SENZA

SENZA SERIES

DESIGNED BY
MADS MILTERSEN

Cleanest combustion
High efficiency
Strong convection
Timeless design

DuplicAir® for simple and easy
air control
Cast iron door
Self-closing door with magnets
Cast iron wood compartment door
Cast iron bottom
Cast iron top
Molded vermiculite
Fresh air inlet included
Self-cleaning window
2 optional handles
5 year warranty

Can be purchased
Customized floorplate out of 6 mm glass



Find all models here:
JYDEPEJSEN.COM

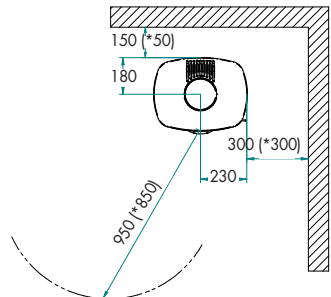
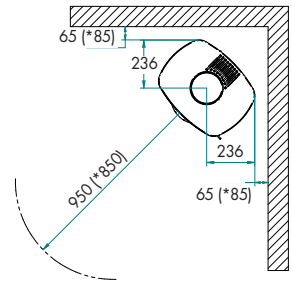
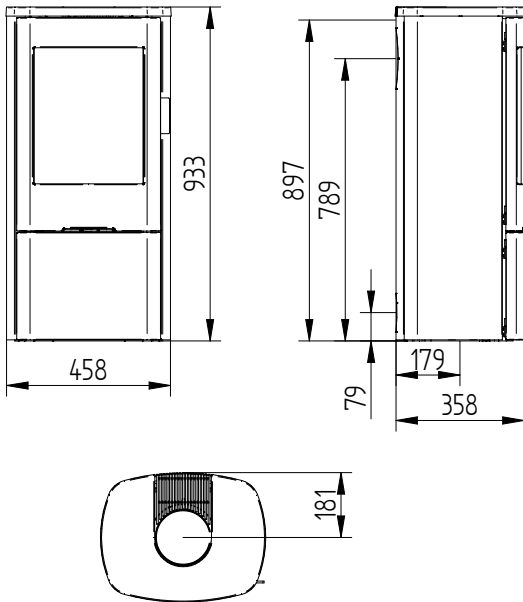
TECHNICAL DATA SENZA:

Heats approx.>100 m²
 Effect 2,5-5 kW
 Efficiency..... 82%
 Dust emission mg/Nm³..... 4 mg.
 Smoke extraction ø150 mm
 Chimney connection Top/back
 Weight 96 kg
 Colour Black/grey
 Combustion chamber dimensions
 (H x W x D)..... 430 x 318 x 255

CE approved
 Defra approved
 DIBt approved



* The numbers in parentheses show the distance to combustibles, when fitted with insulated flue.



SENZA

SIDE GLASS

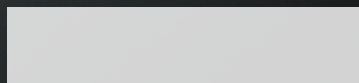
SENZA SERIES

DESIGNED BY
MADS MILTERSEN

Cleanest combustion
High efficiency
Strong convection
Timeless design

DuplicAir® for simpel and easy
air control
Cast iron door
Self-closing door with magnets
Cast iron wood compartment door
Cast iron bottom
Cast iron top
Molded vermiculite
Fresh air inlet included
Self-cleaning window
2 optional handles
5 year warranty

Can be purchased
Customized floorplate out of 6 mm glass



Find all models here:
JYDEPEJSEN.COM



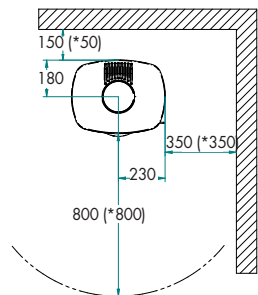
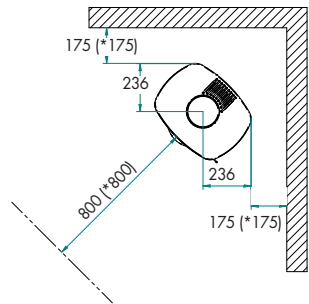
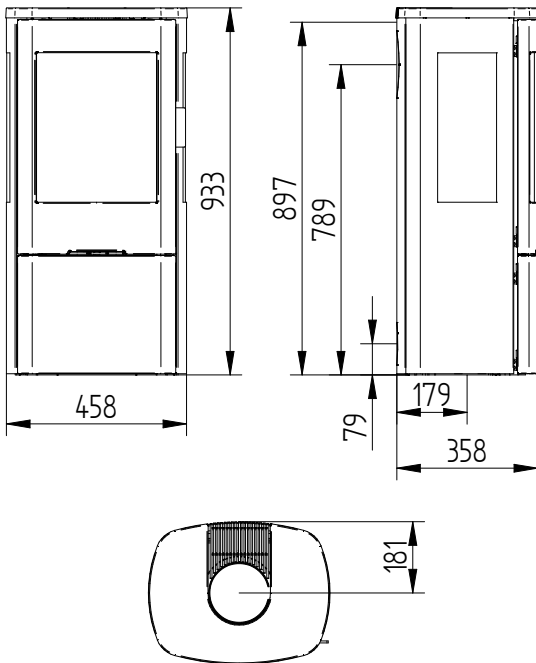
TECHNICAL DATA SENZA SIDE GLASS:

Heats approx. >100 m²
Effect 2,5-5 kW
Efficiency 82%
Dust emission mg/Nm³ 4 mg.
Smoke extraction ø150 mm
Chimney connection Top/back
Weight 95 kg
Colour Black/grey
Combustion chamber dimensions
(H x W x D) 430 x 318 x 255

CE approved
Defra approved
DIBt approved



* The numbers in parentheses show the distance to combustibles, when fitted with insulated flue.



SENZA

WITH SOAPSTONE TOP

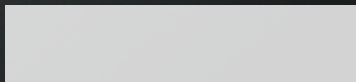
SENZA SERIES

DESIGNED BY
MADS MILTERSEN

Cleanest combustion
High efficiency
Strong convection
Timeless design

DuplicAir® for simpel and easy
air control
Cast iron door
Self-closing door with magnets
Cast iron wood compartment door
Cast iron bottom
Cast iron top
Molded vermiculite
Fresh air inlet included
Self-cleaning window
2 optional handles
5 year warranty

Can be purchased
Customized floorplate out of 6 mm glass



Find all models here:
JYDEPEJSEN.COM

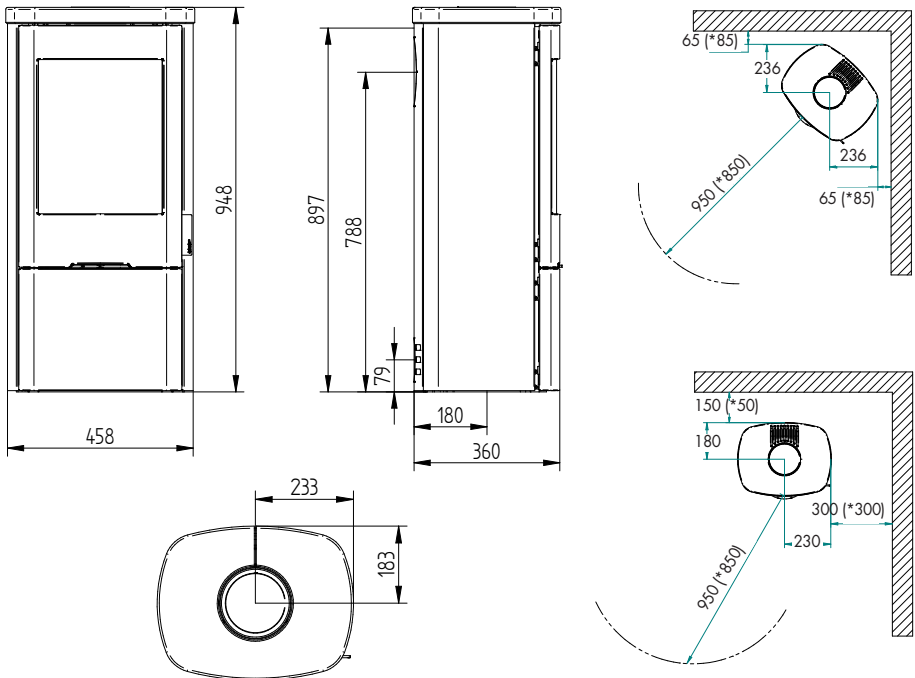
TECHNICAL DATA SENZA SOAPSTONE TOP:

Heats approx.>100 m²
 Effect 2,5-5 kW
 Efficiency..... 82%
 Dust emission mg/Nm³..... 4 mg.
 Smoke extraction ø150 mm
 Chimney connection Top/back
 Weight 105 kg
 Colour Black/grey
 Combustion chamber dimensions
 (H x W x D)..... 430 x 318 x 255

CE approved
 Defra approved
 DIBt approved



* The numbers in parentheses show the distance to combustibles, when fitted with insulated flue.



SENZA

SIDE GLASS WITH TOP SOAPSTONE

SENZA SERIES

DESIGNED BY
MADS MILTERSEN

Cleanest combustion
High efficiency
Strong convection
Timeless design

DuplicAir® for simpel and easy
air control
Cast iron door
Self-closing door with magnets
Cast iron wood compartment door
Cast iron bottom
Cast iron top
Molded vermiculite
Fresh air inlet included
Self-cleaning window
2 optional handles
5 year warranty

Can be purchased
Customized floorplate out of 6 mm glass



Find all models here:
JYDEPEJSEN.COM



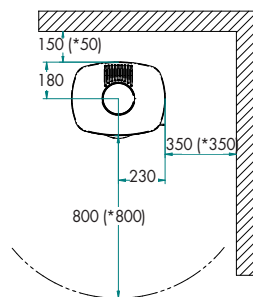
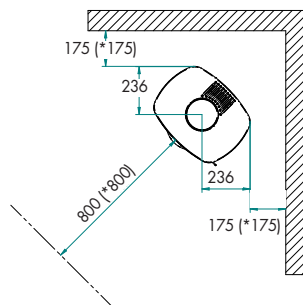
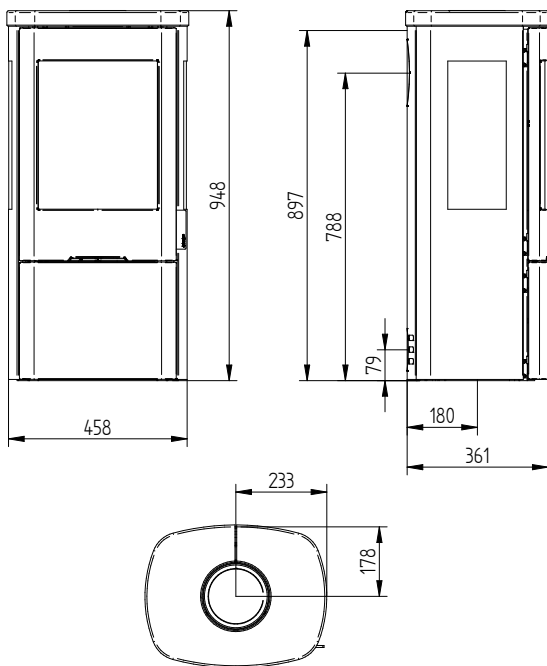
TECHNICAL DATA SENZA SIDE GLASS WITH TOP SOAPSTONE

Heats approx.	>100 m ²
Effect	2,5-5 kW
Efficiency.....	82%
Dust emission mg/Nm ³	4 mg.
Smoke extraction	ø150 mm
Chimney connection	Top/back
Weight	104 kg
Colour	Black/grey
Combustion chamber dimensions (H x W x D).....	430 x 318 x 255

CE approved
Defra approved
DIBt approved

A⁺

* The numbers in parentheses show the distance to combustibles, when fitted with insulated flue.



SENZA

SOAPSTONE

SENZA SERIES

DESIGNED BY
MADS MILTERSEN

Cleanest combustion
High efficiency
Strong convection
Timeless design

DuplicAir® for simpel and easy
air control
Cast iron door
Self-closing door with magnets
Cast iron wood compartment door
Cast iron bottom
Cast iron top
Molded vermiculite
Fresh air inlet included
Self-cleaning window
2 optional handles
5 year warranty

Can be purchased
Customized floorplate out of 6 mm glass



Find all models here:
JYDEPEJSEN.COM

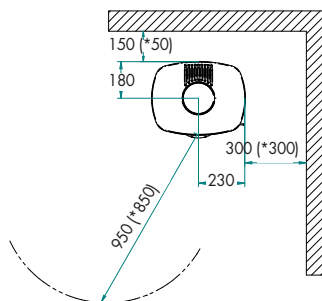
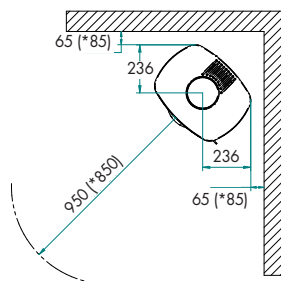
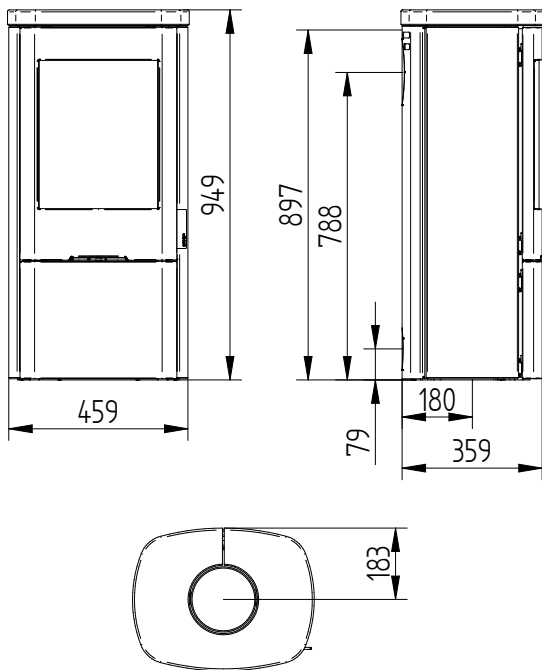
TECHNICAL DATA SENZA SOAPSTONE

Heats approx. >100 m²
 Effect 2,5-5 kW
 Efficiency 82%
 Dust emission mg/Nm³ 4 mg.
 Smoke extraction ø150 mm
 Chimney connection Top/back
 Weight 154 kg
 Colour Black/grey
 Combustion chamber dimensions
 (H x W x D) 430 x 318 x 255

CE approved
 Defra approved
 DIBt approved



* The numbers in parentheses show the distance to combustibles, when fitted with insulated flue.



SENZA

SOAPSTONE SIDE GLASS

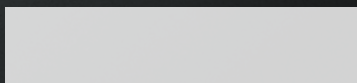
SENZA SERIES

DESIGNED BY
MADS MILTERSEN

Cleanest combustion
High efficiency
Strong convection
Timeless design

DuplicAir® for simpel and easy
air control
Cast iron door
Self-closing door with magnets
Cast iron wood compartment door
Cast iron bottom
Cast iron top
Molded vermiculite
Fresh air inlet included
Self-cleaning window
2 optional handles
5 year warranty

Can be purchased
Customized floorplate out of 6 mm glass



Find all models here:
JYDEPEJSEN.COM



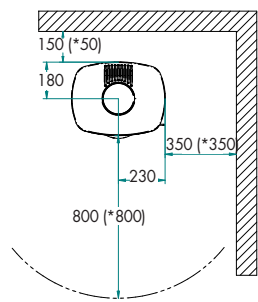
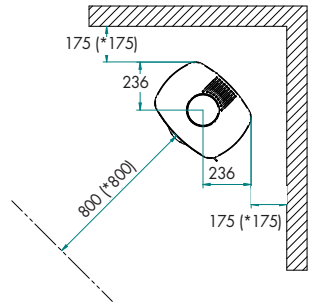
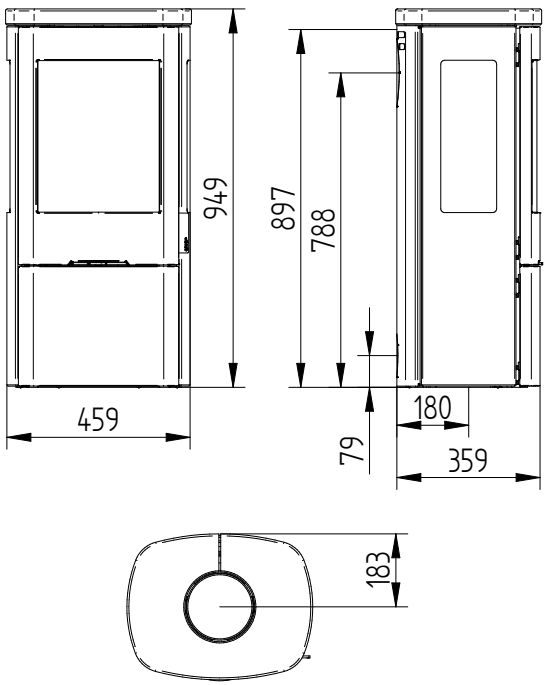
TECHNICAL DATA SENZA SOAPSTONE SIDE GLASS

Heats approx.>100 m²
 Effect 2,5-5 kW
 Efficiency..... 82%
 Dust emission mg/Nm³..... 4 mg.
 Smoke extraction ø150 mm
 Chimney connection Top/back
 Weight 140 kg
 Colour Black/grey
 Combustion chamber dimensions
 (H x W x D)..... 430 x 318 x 255

CE approved
 Defra approved
 DIBt approved



* The numbers in parentheses show the distance to combustibles, when fitted with insulated flue.



SENZA

DARK SANDSTONE

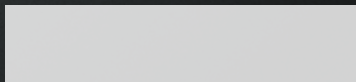
SENZA SERIES

DESIGNED BY
MADS MILTERSEN

Cleanest combustion
High efficiency
Strong convection
Timeless design

DuplicAir® for simpel and easy
air control
Cast iron door
Self-closing door with magnets
Cast iron wood compartment door
Cast iron bottom
Cast iron top
Molded vermiculite
Fresh air inlet included
Self-cleaning window
2 optional handles
5 year warranty

Can be purchased
Customized floorplate out of 6 mm glass



Find all models here:
JYDEPEJSEN.COM



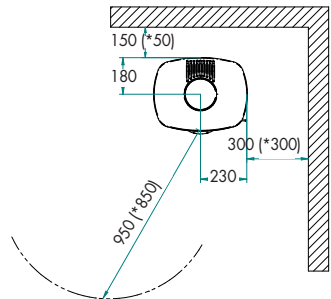
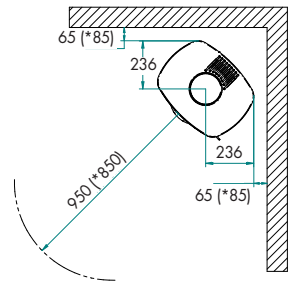
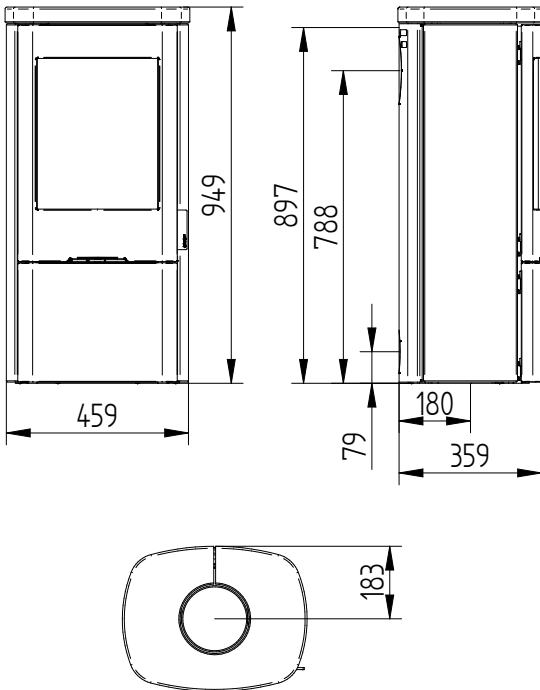
TECHNICAL DATA SENZA DARK SANDSTONE:

Heats approx.>100 m²
 Effect..... 2,5-5 kW
 Efficiency..... 82%
 Dust emission mg/Nm³..... 4 mg.
 Smoke extraction ø150 mm
 Chimney connection Top/back
 Weight154 kg
 Colour Black/grey
 Combustion chamber dimensions
 (H x W x D)..... 430 x 318 x 255

CE approved
 Defra approved
 DIBt approved



* The numbers in parentheses show the distance to combustibles, when fitted with insulated flue.



SENZA

DARK SANDSTONE SIDE GLASS

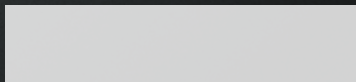
SENZA SERIES

DESIGNED BY
MADS MILTERSEN

Cleanest combustion
High efficiency
Strong convection
Timeless design

DuplicAir® for simpel and easy
air control
Cast iron door
Self-closing door with magnets
Cast iron wood compartment door
Cast iron bottom
Cast iron top
Molded vermiculite
Fresh air inlet included
Self-cleaning window
2 optional handles
5 year warranty

Can be purchased
Customized floorplate out of 6 mm glass



Find all models here:
JYDEPEJSEN.COM



TECHNICAL DATA SENZA DARK SANDSTONE

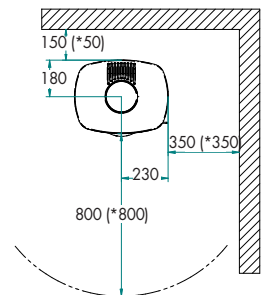
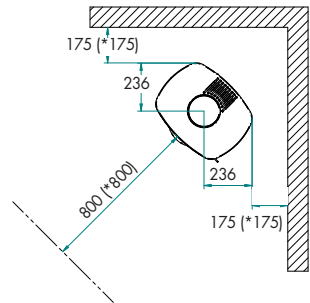
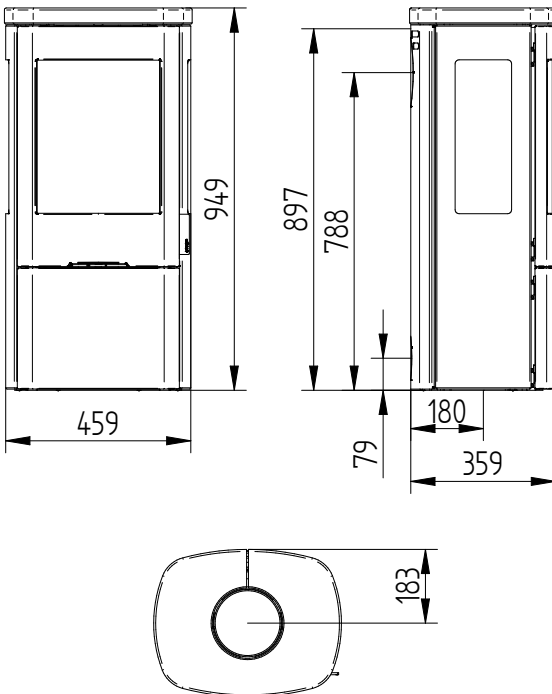
SIDE GLASS:

Heats approx.>100 m²
 Effect 2,5-5 kW
 Efficiency..... 82%
 Dust emission mg/Nm³..... 4 mg.
 Smoke extraction ø150 mm
 Chimney connection Top/back
 Weight 140kg
 Colour Black/grey
 Combustion chamber dimensions
 (H x W x D)..... 430 x 318 x 255

CE approved
 Defra approved
 DIBt approved



* The numbers in parentheses show the distance to combustibles, when fitted with insulated flue.



SENZA

MOCA CREAM SANDSTONE

SENZA SERIES

DESIGNED BY
MADS MILTERSEN

Cleanest combustion
High efficiency
Strong convection
Timeless design

DuplicAir® for simpel and easy
air control
Cast iron door
Self-closing door with magnets
Cast iron wood compartment door
Cast iron bottom
Cast iron top
Molded vermiculite
Fresh air inlet included
Self-cleaning window
2 optional handles
5 year warranty

Can be purchased
Customized floorplate out of 6 mm glass



Find all models here:
JYDEPEJSEN.COM

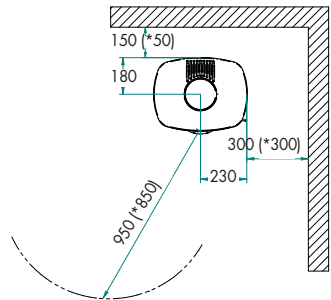
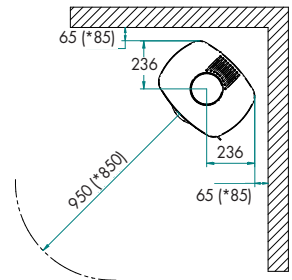
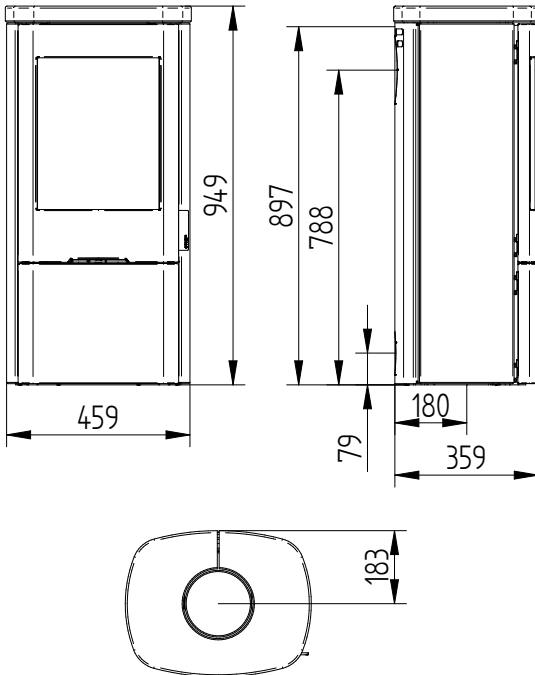
TECHNICAL DATA SENZA MOCA CREAM SANDSTONE:

Heats approx.>100 m²
 Effect 2,5-5 kW
 Efficiency..... 82%
 Dust emission mg/Nm³..... 4 mg.
 Smoke extraction ø150 mm
 Chimney connection Top/back
 Weight 154 kg
 Colour Black/grey
 Combustion chamber dimensions
 (H x W x D)..... 430 x 318 x 255

CE approved
 Defra approved
 DIBt approved



* The numbers in parentheses show the distance to combustibles, when fitted with insulated flue.



SENZA

MOCA CREAM SANDSTONE SIDE GLASS

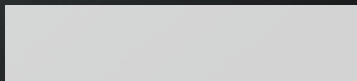
SENZA SERIES

DESIGNED BY
MADS MILTERSEN

Cleanest combustion
High efficiency
Strong convection
Timeless design

DuplicAir® for simpel and easy
air control
Cast iron door
Self-closing door with magnets
Cast iron wood compartment door
Cast iron bottom
Cast iron top
Molded vermiculite
Fresh air inlet included
Self-cleaning window
2 optional handles
5 year warranty

Can be purchased
Customized floorplate out of 6 mm glass



Find all models here:
JYDEPEJSEN.COM



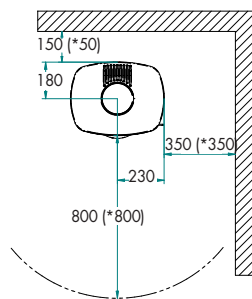
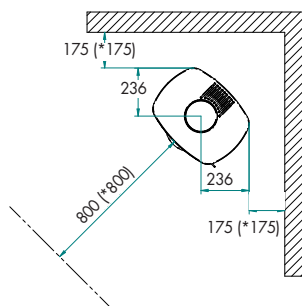
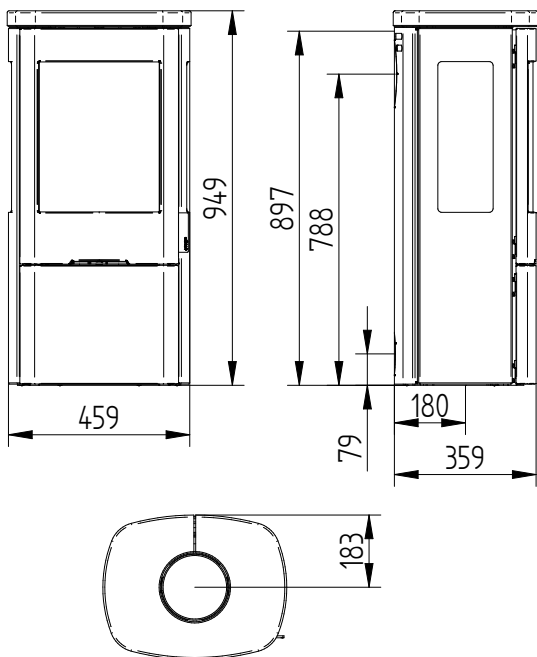
**TECHNICAL DATA SENZA MOCA CREAM
SANDSTONE SIDE GLASS:**

Heats approx.	>100 m ²
Effect	2,5-5 kW
Efficiency.....	82%
Dust emission mg/Nm ³	4 mg.
Smoke extraction	ø150 mm
Chimney connection	Top/back
Weight	140 kg
Colour	Black/grey
Combustion chamber dimensions (H x W x D).....	430 x 318 x 255

CE approved
Defra approved
DIBt approved



* The numbers in parentheses show the distance to combustibles, when fitted with insulated flue.



SENZA

GREY WOOD SANDSTONE

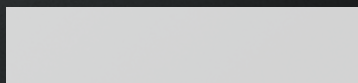
SENZA SERIES

DESIGNED BY
MADS MILTERSEN

Cleanest combustion
High efficiency
Strong convection
Timeless design

DuplicAir® for simpel and easy
air control
Cast iron door
Self-closing door with magnets
Cast iron wood compartment door
Cast iron bottom
Cast iron top
Molded vermiculite
Fresh air inlet included
Self-cleaning window
2 optional handles
5 year warranty

Can be purchased
Customized floorplate out of 6 mm glass



Find all models here:
JYDEPEJSEN.COM



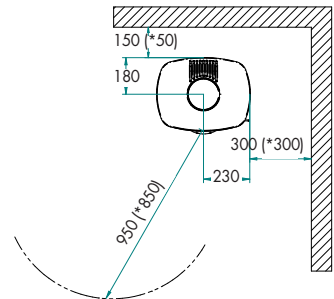
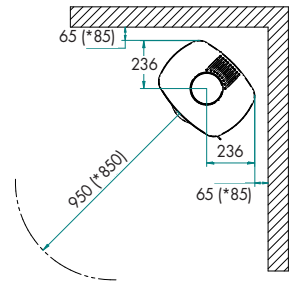
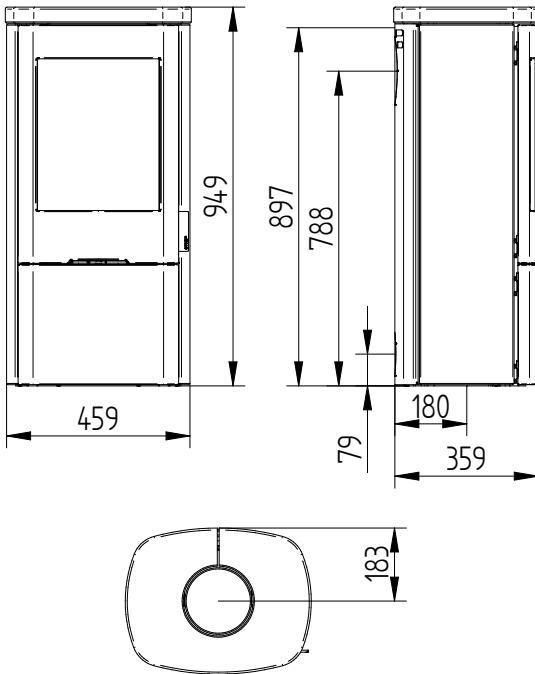
TECHNICAL DATA SENZA GREY WOOD SANDSTONE:

Heats approx.>100 m²
 Effect 2,5-5 kW
 Efficiency..... 82%
 Dust emission mg/Nm³..... 4 mg.
 Smoke extraction ø150 mm
 Chimney connection Top/back
 Weight 154 kg
 Colour Black/grey
 Combustion chamber dimensions
 (H x W x D)..... 430 x 318 x 255

CE approved
 Defra approved
 DIBt approved



* The numbers in parentheses show the distance to combustibles, when fitted with insulated flue.



SENZA

GREY WOOD SANDSTONE SIDE GLASS

SENZA SERIES

DESIGNED BY
MADS MILTERSEN

Cleanest combustion
High efficiency
Strong convection
Timeless design

DuplicAir® for simpel and easy
air control
Cast iron door
Self-closing door with magnets
Cast iron wood compartment door
Cast iron bottom
Cast iron top
Molded vermiculite
Fresh air inlet included
Self-cleaning window
2 optional handles
5 year warranty

Can be purchased
Customized floorplate out of 6 mm glass



Find all models here:
JYDEPEJSEN.COM



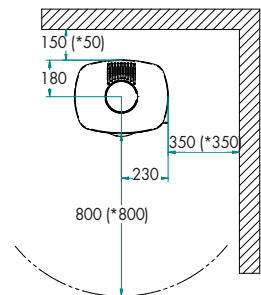
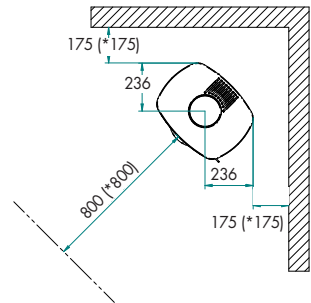
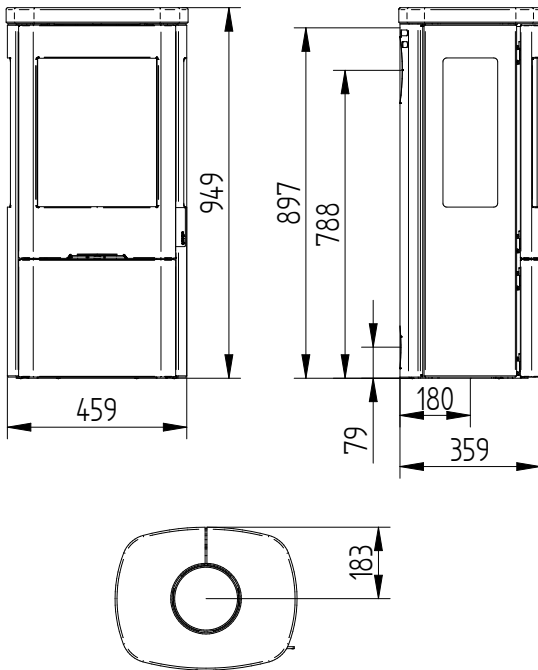
**TECHNICAL DATA SENZA GREY WOOD
SANDSTONE SIDE GLASS:**

Heats approx.>100 m²
 Effect 2,5-5 kW
 Efficiency..... 82%
 Dust emission mg/Nm³..... 4 mg.
 Smoke extraction ø150 mm
 Chimney connection Top/back
 Weight 140 kg
 Colour Black/grey
 Combustion chamber dimensions
 (H x W x D)..... 430 x 318 x 255

CE approved
 Defra approved
 DIBt approved



* The numbers in parentheses show the distance to combustibles, when fitted with insulated flue.



SENZA WALL

SENZA SERIES

DESIGNED BY
MADS MILTERSEN

Cleanest combustion
High efficiency
Strong convection
Timeless design

DuplicAir® for simpel and easy
air control
Cast iron door
Self-closing door with magnets
Cast iron wood compartment door
Cast iron bottom
Cast iron top
Molded vermiculite
Fresh air inlet included
Self-cleaning window
2 optional handles
5 year warranty

Can be purchased
Customized floorplate out of 6 mm glass



Find all models here:
JYDEPEJSEN.COM

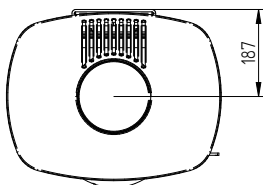
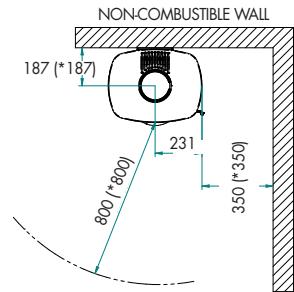
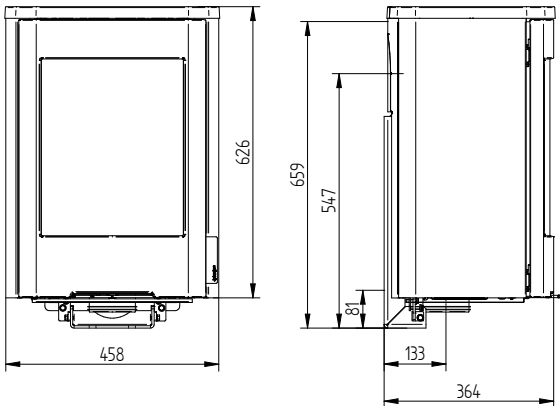
TECHNICAL DATA SENZA WALL:

Heats approx. >100 m²
 Effect 2,5-5 kW
 Efficiency..... 82%
 Dust emission mg/Nm³..... 4 mg.
 Smoke extraction ø150 mm
 Chimney connection Top/back
 Weight 82 kg
 Colour Black/grey
 Combustion chamber dimensions
 (H x W x D)..... 430 x 318 x 255

CE approved
 Defra approved
 DIBt approved



* The numbers in parentheses show the distance to combustibles, when fitted with insulated flue.



SENZA WALL

SIDE GLASS

SENZA SERIES

DESIGNED BY
MADS MILTERSEN

Cleanest combustion
High efficiency
A floating fireplace
Strong convection
Timeless design

DuplicAir® for simpel and easy
air control
Cast iron door
Self-closing door with magnets
Cast iron bottom
Cast iron top
Molded vermiculite
Fresh air inlet included
Self-cleaning window
2 optional handles
5 year warranty

Can be purchased
Customized floorplate out of
6 mm glass



Find all models here:
JYDEPEJSEN.COM

TECHNICAL DATA SENZA WALL SIDE GLASS:

Heats approx.>100 m²
 Effect 2,5-5 kW
 Efficiency..... 82%
 Dust emission mg/Nm³..... 4 mg.
 Smoke extraction ø150 mm
 Chimney connection Top/back
 Weight81 kg
 Colour Black/grey
 Combustion chamber dimensions
 (H x W x D)..... 430 x 318 x 255

CE approved
 Defra approved
 DIBt approved



* The numbers in parentheses show the distance to combustibles, when fitted with insulated flue.

